

# High Performance Low Profile Canned Motor Pump DRP-9338

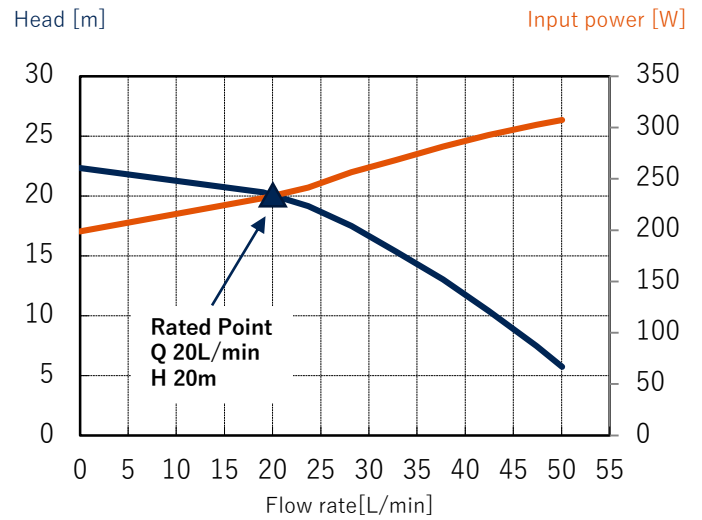


## Specifications

### Standard specification

Pump type	-	Centrifugal canned pump
Power	V	DC 24
Drive system	-	Sinusoidal drive
Maximum flow rate	L/min	50
Maximum head	m	22
Port fitting type	-	Tapered pipe thread (ISO) 2 x Rc3/4(3/4" BSPT, female)
Liquid temperature	Degrees Celsius	0 - 60
Ambient temperature	Degrees Celsius	0 - 60
Rated output	W	65
Mass	kg	2.2

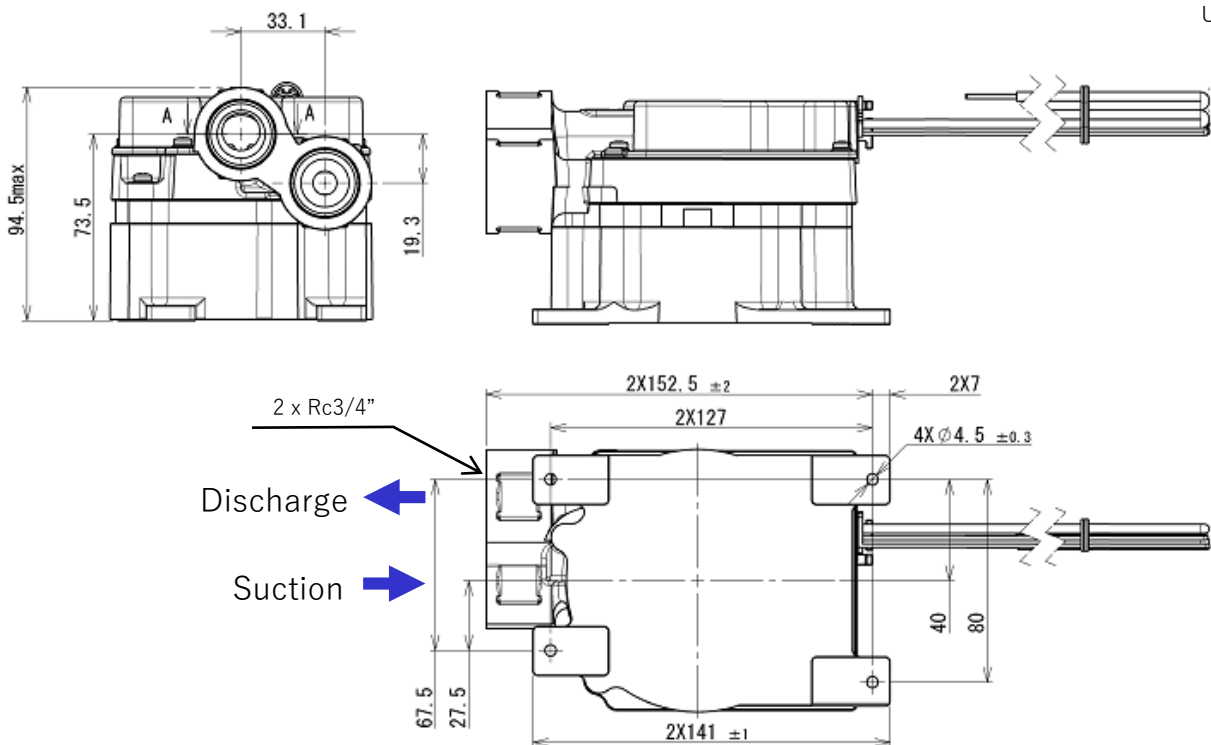
### Q-H characteristic (Duty 100%)



### Main material

- Aluminum (Aluminum for casting + Hard alumite treatment)
- Alumina ceramics
- PPS-GF
- EPDM (O-Ring)

### External drawing



• In order to prevent leakage, please use a teflon seal tape for the joint connection part.

\*Specifications and appearance are subject to change without notice.

#### ■ Europe

ASPINA GmbH  
Mergenthalerallee 77  
65760 Eschborn  
Germany  
info@shinano.de  
eu.aspina-group.com

#### ■ USA

ASPINA Inc.  
6065 Bristol Parkway  
Culver City, California 90230  
U.S.A  
info@shinano.com  
us.aspina-group.com

#### ■ Japan (Headquarters)

Shinano Kenshi Co., Ltd.  
1078, Kami-maruko, Ueda City  
Nagano 386-0498  
Japan

Issue Date: June 29, 2022